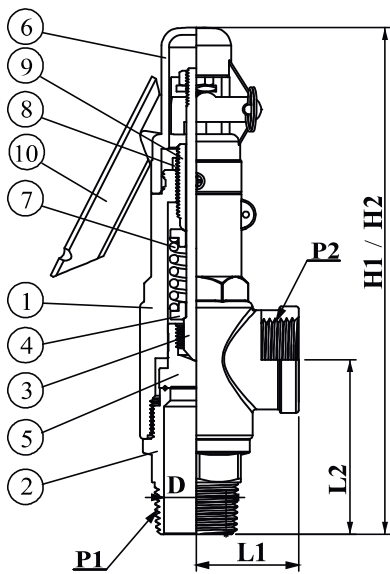


series

High Lift Safety Valve - High Pressure

- Size: 1/2"(DN15) to 2"(DN50)
- Working Pressure: 0.1 to 110 bar
- Working Temp.: -196°C to 350°C
- Connection Standard:
NPT/PT/BSPP/BSPT/ANSI/JIS/PN.....etc.



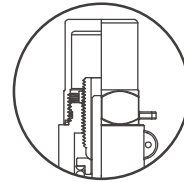
HST2



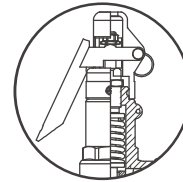
HST3



HST4



HST24



HST25

ITEM	PARTS	MATERIAL					
		HST24	HST25	HST34	HST35	HST44	HST45
1	VALVE BODY			SS304/316			
2	VALVE SEAT			SS304/316			
3	SPINDLE			SS304			
4	SPRING SEAT			SS304			
5	DISC			SS304/316(+VITON/PTFE)			
6	CAP			SS304			
7	SPRING			SS304			
8	NUT			SS304			
9	ADJUSTING SCREW			SS304			
10	HANDLE	-	SS304	-	SS304	-	SS304

DIMENSIONS (MM)																				
P1 INLET	P2 OUTLET	D ORIFICE DIAMETER	A ORIFICE AREA (MM²)	LIFT	HST24/HST25		HST24		HST34/HST35		HST34		HST35		HST44/HST45		HST44		HST45	
					L1	L2	H1	H2	L1	L2	H1	H2	L1	L2	H1	H2				
1/2"	1"	15	176.6	1.04	41.25	65.5	177.5	199.5	41.25	70.5	182.5	204.2	105.75	70.5	182.5	204.2				
3/4"	1"	19.5	298.5	1.52	41.25	65	177	199	41.25	70	182	204	105.75	70	182	204				
1"	1"	21	346.2	2	41.25	70.5	182.5	204.5	41.25	75.5	187.5	209.5	105.75	75.5	187.5	209.5				
1"	2"	25	490.6	2.52	65	100.3	260.5	284	65	105.3	265.5	289	133.5	105.3	265.5	289				
1 1/4"	2"	33	854.9	2.56	65	100.8	261	284.5	65	106.8	267	209.5	133.5	106.8	267	209.5				
1 1/2"	2"	39	1194.0	3.04	65	101.3	261.5	285	65	107.3	267.5	291	133.5	107.3	267.5	291				
2"	2"	39	1194.0	4	65	104.3	264.5	288	65	110.3	270.5	294	133.5	110.3	270.5	294				